



Ravaglioli

COMPANY WITH QUALITY MANAGEMENT
SYSTEM CERTIFIED BY DNV
= ISO 9001:2008 =

14,000 lbs Premium alignment lift

RAV 4506 OF
14,000 lbs



Extra-long platforms for total wheel alignment with front turning plates locations and rear slip plates.

Everything flush mounted for smooth access and perfect alignment work.



Flush multiple plate locations



OPEN FRONT

Full access to the working area

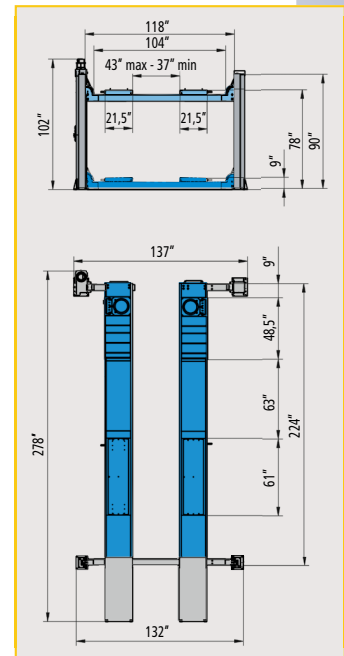
Long platforms to lift cars and light trucks.

MULTI - POSITION



Low-friction rear slip plates.

They can be manually locked in central position.
Transverse and angular movements in both directions.



1958 | 2013

RAV
4506 OF
4503 OF
4504 OF
OPEN FRONT

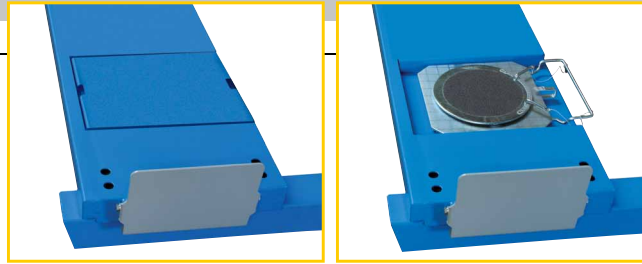
14,000 lbs
service lift

RAV 4503 OF
14,000 lbs

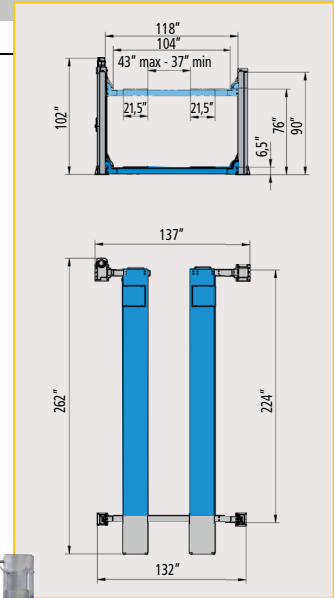


Flat runways.

The 224" long platforms and the large inner distance between posts allow optimum lifting of light commercial vehicles and long-wheelbase vans.



Flat runways with front turning plates locations



14,000 lbs
alignment lift

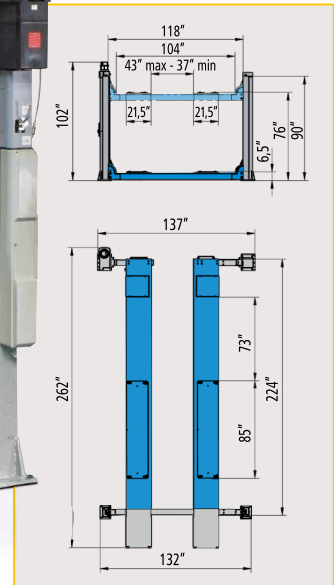
RAV 4504 OF
14,000 lbs



Lift with flat runways, with front recess for turntables and rear sliding plates mounted over the platform.

Low-friction rear slip plates.

They can be manually locked in the central position. Transverse and angular movements in both directions.

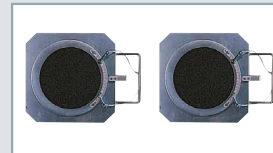


OPTIONS

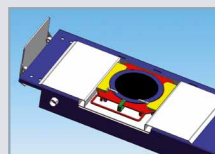


J30 PX 7000 lbs each

Heavy duty air-hydraulic rolling jacks. Scissors type.



S110A7 12.2" diameter. Pair of heavy duty turntables.



S4504 OF A1 (for RAV 4504 OF) Kit to level S110A7 turntables for rolling run out compensation.



RAV Equipment U.S.A. Inc.
+1.888.625.4387
info@ravamerica.com

INTERNATIONAL
Ravaglioli S.p.A.
40037 Sasso Marconi
Fraz. Pontecchio M.
P.O.B. 1690 - Bologna - Italia
Tel. +39 - 051 - 6781511
Fax +39 - 051 - 846349
rav@ravaglioli.com
www.ravaglioli.com